

**PRODUCT CODE: IB1G**  
CONDUIT INSPECTION BEND

**DESCRIPTION**

20mm Conduit Inspection Bend

**FINISH**

Hot Dipped Galvanised

**MATERIAL**

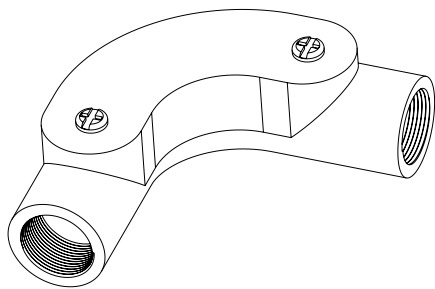
Body: Malleable Iron / Cover: Steel

**PACKAGING**

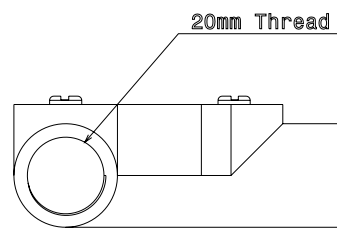
Packed in qty 10

**ADDITIONAL NOTES**

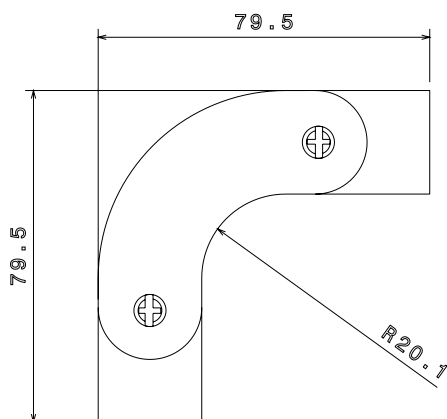
Conforms to BS EN61386-1  
Compliant to LU Standard 1-085 (for use on surface & sub-surface locations)  
Supplied c/w qty 2 M4 x 6mm pozi-pan screws



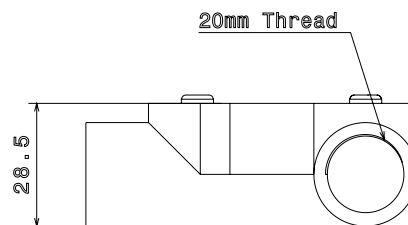
Isometric view



Right view



Top view



Left view